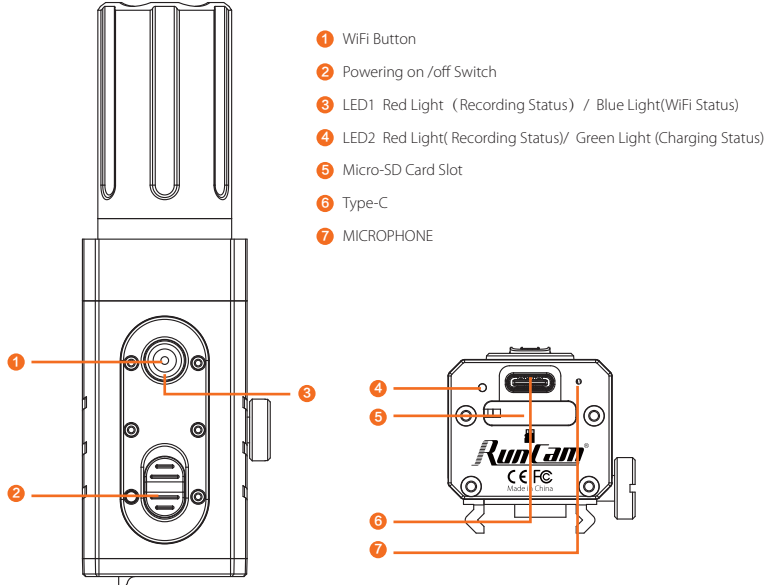


Scope cam 2 User Manual

Instruction Diagram



Charging:

Type-C only supports DC 5V power supply, please use conventional phone charger or power bank. Green light will turn on during charging, while it will turn off when it is fully charged. It takes about 2 hours to get fully charged.

Low Battery Reminder:

When the battery is lower than 8%, the camera vibrates 4 times continuously, 30s each vibration.

MicroSD Card

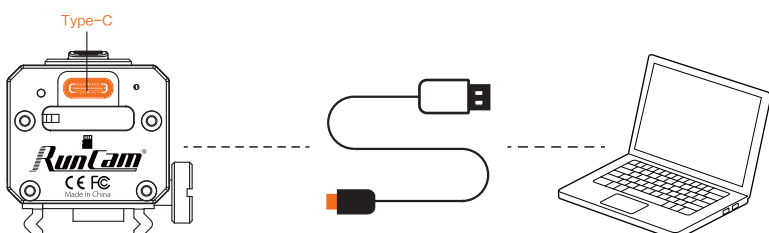
Capacity up to 128GB; High Speed SD card (Class 10/UHS-I/UHS-II/UHS-III) is highly recommended

Note: The camera only supports FAT32 or exFAT format, SD cards over 64GB must be formatted via the App.

Basic Camera Operation

Start Recording	Push button up, LED1, LED2(Red Light) have a slow flash at 1s interval simultaneously
Stop Recording	Push button down, LED1 and LED2(Red Light) turn off simultaneously
Open WIFI	Operation1: Long Pressing WIFI button 3s in recording status Waiting for a connection: LED1 (Blue light flashes slowly at 1s interval), Connected: LED1(Blue Light is on)
	Operation2: Long Pressing WIFI button 3s in shutdown status Waiting for a connection: LED1 (Blue light flashes slowly at 1s interval) Connected: LED1(Blue Light is on)
Close WIFI	Long pressing WIFI button 3s, LED1 (Blue light) off, the camera turns off simultaneously
Forced shutdown	Long pressing WIFI button 8s
Abnormal Status	No SD card or SD card abnormality, LED1, LED2 have a quick flash simultaneously

Connection to the Computer



U Disk Mode:

Connecting to PC via TYPE-C to USB, the camera will enter into U disk mode automatically, recording indicator(red light) is on

WEBCAM/PCCAM/UVC Mode

Short pressing WIFI button to switch to WEBCAM/PCCAM/UVC mode in U disk mode, then Short pressing WIFI button can switch back and forth to U Disk or WEBCAM mode.

NOTICE: If the camera cannot be recognized after connecting to the computer, please confirm whether there is microSD card in Scope cam 2. If the information in the SD card cannot be read normally, please replace the USB cable or retry the computer USB port.

App

1. Long press WiFi button 3s, LED1 (blue light) flashes, WiFi is started and waiting for connection.
2. Find the SSID connection of the Scope Cam 2 in the wireless network of the mobile phone and enter the password, after successful connection, firmware update/WIFI indicator (blue light) is constantly on
3. Default SSID: RCSC02_*****PW:1234567890

Android and iOS APP: Search 'RunCam App' on Google Play/App Store, or download on our website: <https://runcam.com/download/scopecam2>.

Firmware Upgrade

Firmware Upgrade Status (Blue light blinks)Ensure that the Scope Cam battery is more than 50% before the upgrade.

Manually copy the firmware file (**FWSCLITE.bin**) onto the microSD card. Follow the instruction on <https://runcam.com/download/scopecam2>.

To get the latest features and best performance from your Scope Cam, make sure you are using the most current camera software. You can update your firmware with the RunCam App or at <https://runcam.com/download/scopecam2>.

Parameter

Image Sensor	1/2.9" CMOS 2MP		
Lens	40mm@FOV 8.2	25mm@FOV 12°	3.6mm@FOV 126
ISO	100 / 200 / 400 / 800 / 1600		
Shutter	1~1/500s		
Resolution	1080P@60fps / 1080P@50fps / 720P@90fps		
Video format	MP4(H.264)		
Memory Card	Micro SD(Max 128g)		
File system	Fat32/exFat		
Battery	1400mAh		
Battery life	About 240 minutes (1080P@60fps)		
Charging time	About 120 minutes		
Wi-Fi	2.4g		
USB Interface	Type-C		
Work Current	1.25W (wi-fi off)		
Work Temp	-10°C ~ 45°C		
Housing Material	Aluminum alloy & PA		
Vibration motor	Built-in		
Waterproof	IP64		
Mount	Picatinny		
Net Weight	40mm@135g	25mm@130g	3.6mm@118g
Dimensions	112mm*32mm*36mm	93mm*32mm*36mm	79mm*32mm*36mm

Technical Support

Please visit: <https://support.runcam.com/hc/en-us>