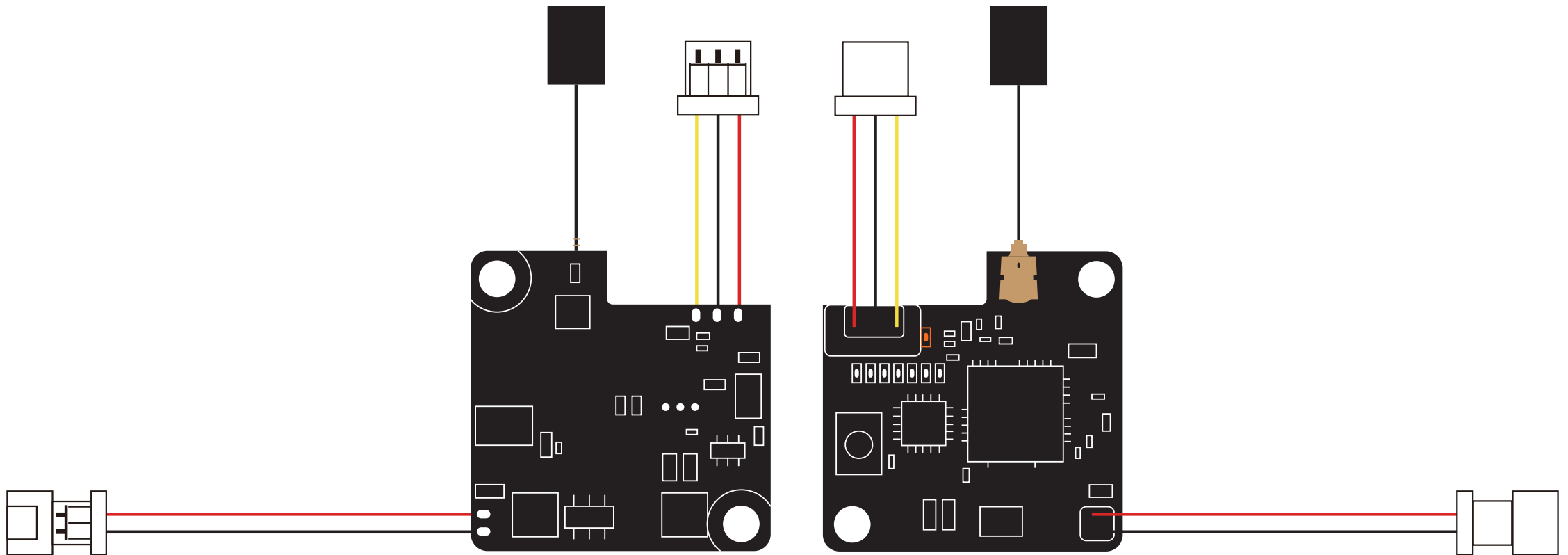


RunCam TX200

1S 3.5-5.5V 5.8G 48CH 25/200mW Video Transmitter



Frequency Setup

Lock mode:

Red LED flashes, only 25mW & limited frequency available;

Unlocked mode:

Red LED keeps on, 200mW & all 48 channels available;
By long pressing button for 10 seconds, you can switch between the two modes.

Note:

Before you get TX200 unlocked, it is highly recommended to know about the rules and regulations in your country about the frequency to avoid a fine or confiscation of your device.

1 Blue LED for Channel

Short press the button to switch the Channel, Channel 1/2/3/4/5/6/7/8 in sequence. For each short press, the Blue LED flashes once, and only when it's under the Channel 1, the LED is always on.

6 Red LED for Band

Long press the button two seconds to switch the Band, Band 1/2/3/4/5/6 in sequence. For each long press, the six Red LEDs light in turn.

1 Orange LED for Power

Long press the button five seconds to switch the power, on is 200mw, off is 25mw, lock mode is limited to 25mw.

Parameter

Frequency Channel: 5.8G 48CH

Output Power: 25mW / 200mW

Working Current: 5V@150~400mA

Voltage out: 5V@max 250mA

Voltage in: 1S 3.5-5.5V

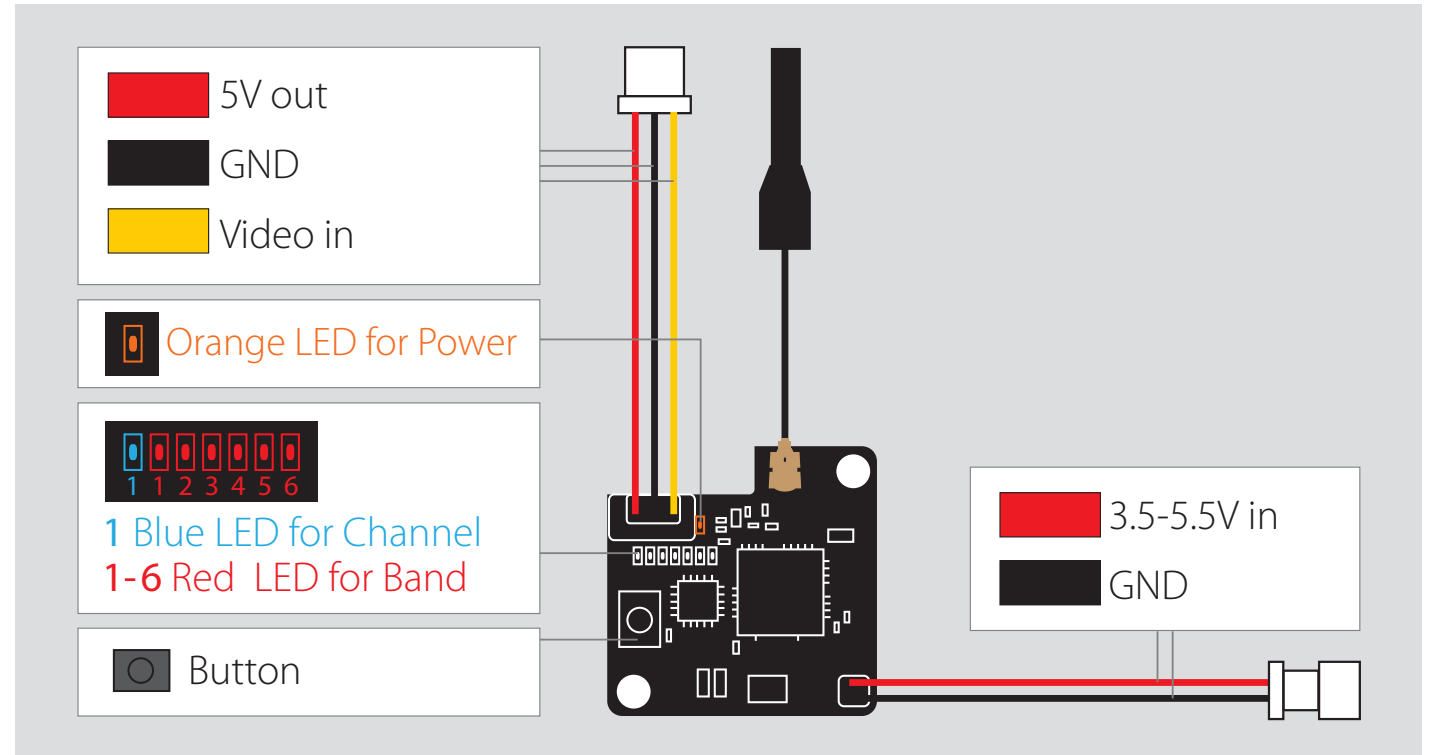
Video Input Impedance: 75 Ohm

Antenna : U.FL 5.8G 2dB Omni antenna

Weight: 2.5g (with antenna)

PCB Size: 19mm*19mm

Instruction diagram



Frequency Table

 Lock

Channel	CH1	CH2	CH3	CH4	CH5	CH6	CH7	CH8
1 Band A	5865	5845	5825	5805	5785	5765	5745	5725
2 Band B	5733	5752	5771	5790	5809	5828	5847	5866
3 Band E	5705	5685	5665	5645	5885	5905	5925	5945
4 Airwave	5740	5760	5780	5800	5820	5840	5860	5880
5 Race Band	5658	5695	5732	5769	5806	5843	5880	5917
6 Low Race	5362	5399	5436	5473	5510	5547	5584	5621

www.runcam.com