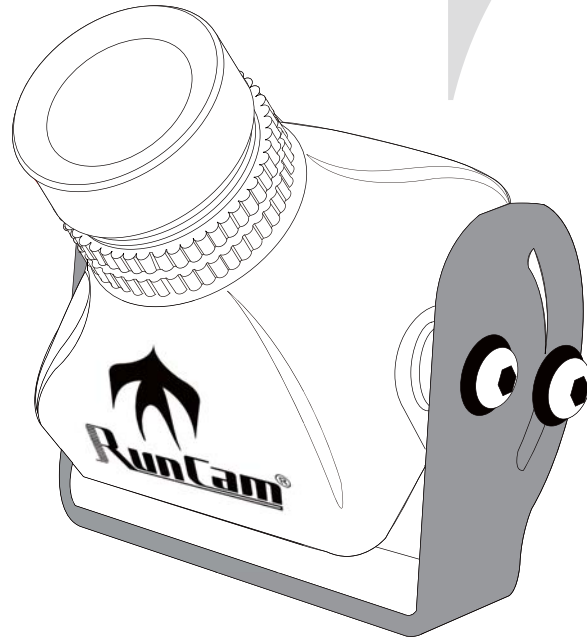


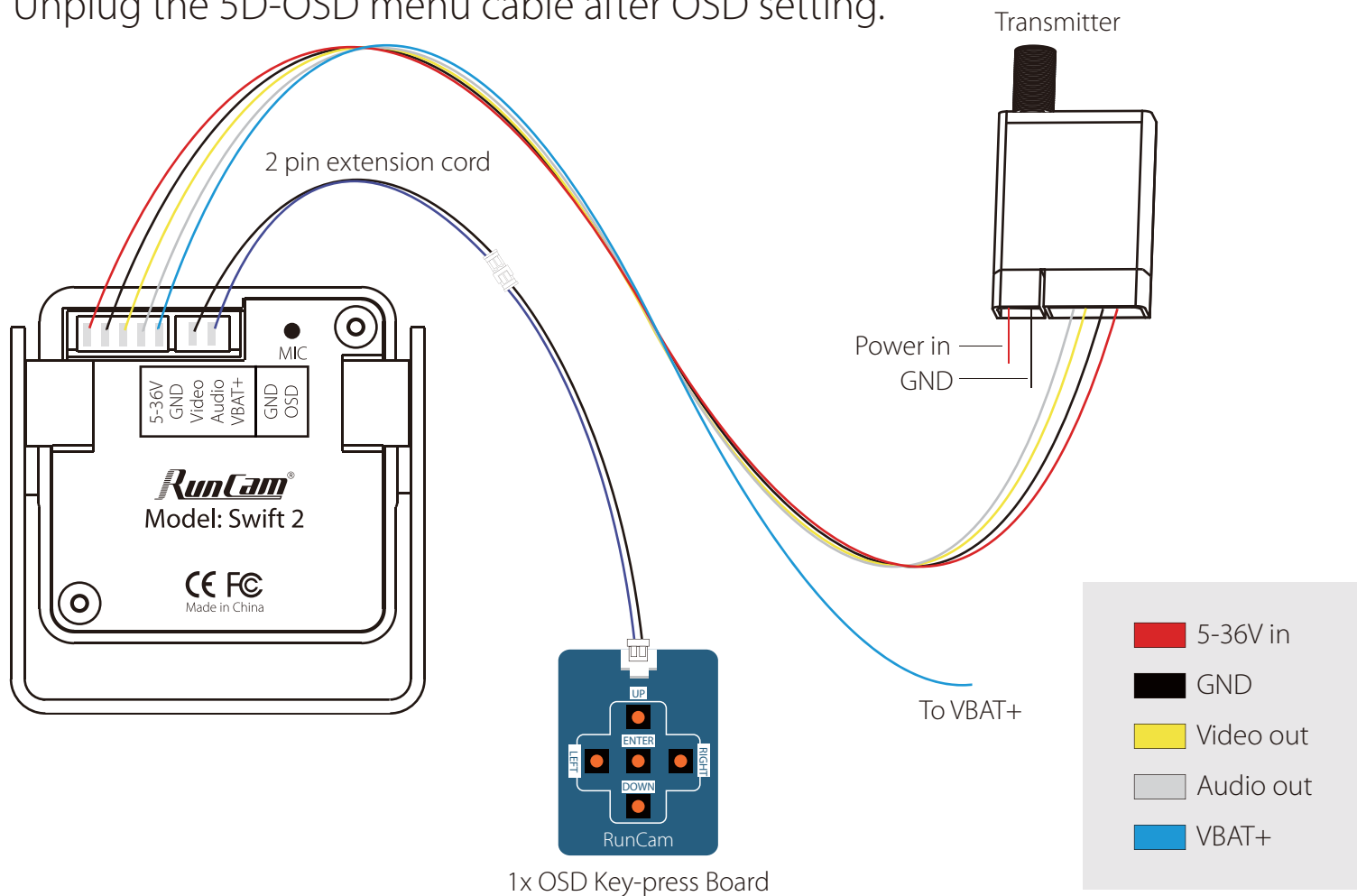
RunCam New Swift 2

USER MANUAL

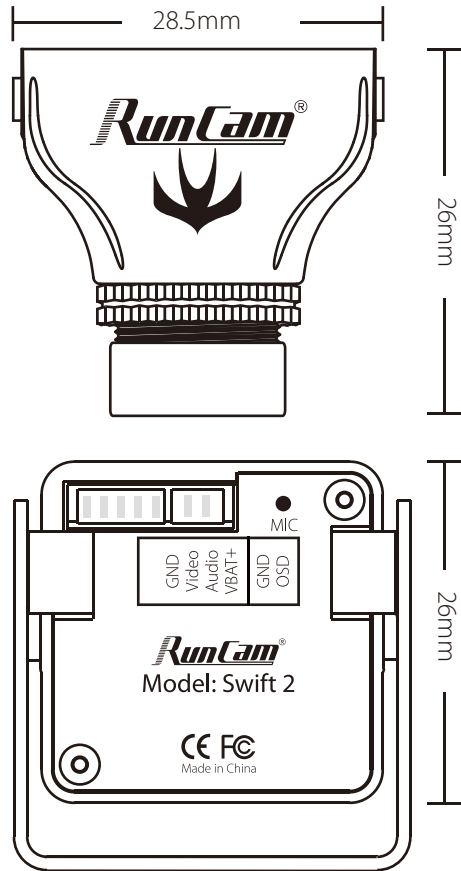


Connection

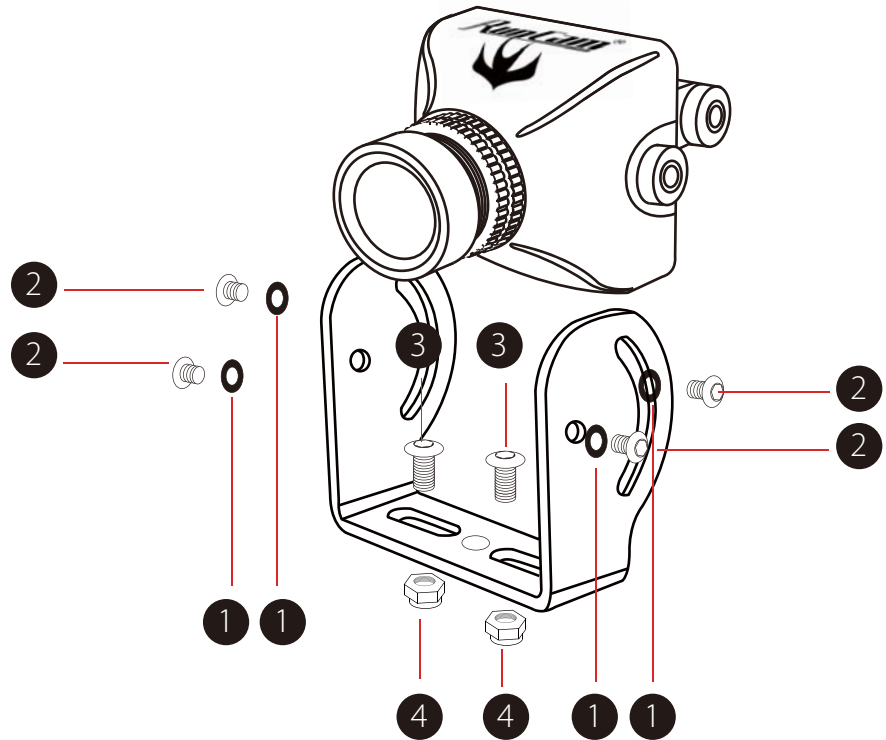
* Unplug the 5D-OSD menu cable after OSD setting.



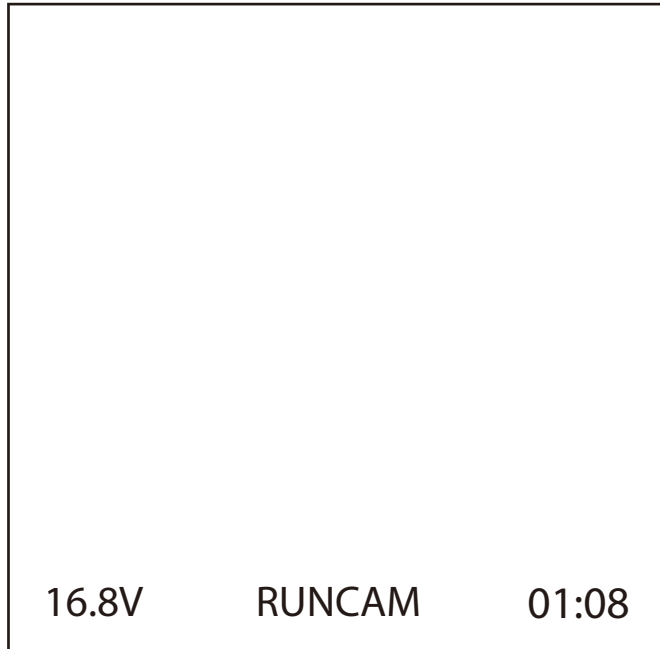
Dimensions & Installation



- 1 Nylon Gaskets
- 2 M2*4 Screws
- 3 M3*5 Screws
- 4 M3 Non-slip Nuts



OSD Menu



- Quick settings:
- Long press UP button for three seconds to access to the OSD setting's screen
- Long press LEFT button for three seconds to calibrate the voltage. When the voltage text flashes, press UP/DOWN button to adjust it
- Long press DOWN button for five seconds to reset OSD settings to default
- Long press RIGHT button for three seconds to switch between the camera presets

OSD Menu

	1 2 3 4 5 6 7 8 9 0 A B C	
	D E F G H I J K L M N O P Q	
	R S T U V W X Y Z = / & : .	
CLR	RUNCAM	
ALARM	: 14.8V	
SCENE	: PERSONAL	
SYSTEM	: ON	POS ←↵
PILOT	: ON	POS ←↵
TIMER	: ON	POS ←↵
VOLTAGE	: ON	POS ←↵
HORIZON	: OFF	POS ←↵
EXIT		

- CLR: clear the ID character
- ALARM: low voltage warning value, smartly judge the warning value of the battery when it's low; if set it manually, then it saves the manual preset value
- SCENE: switch the camera presets among Personal/Lightrax/Outdoor/Indoor/Cloudy /Twilight
- Press the middle button to switch ON / OFF, then move to POS to enter the position adjustment

Camera Menu

- MAIN MENU

SETUP	
EXPOSURE	←┘
BACKLIGHT	OFF
WHITE BAL	ATW1
DAY & NIGHT	COLOR ←┘
IMAGE ADJ	←┘
DPC	←┘
LANGUAGE	ENGLISH
RESET	←┘
EXIT	

- LANGUAGE (English/中文)
- WHITE BAL (ATW1 / ATW2 / AWC → SET / MANUAL: MANUAL, INDOOR, OUTDOOR)
- DPC (Cover the lens then press enter key)

- EXPOSURE

EXPOSURE	
SHUTTER	AUTO
BRIGHTNESS 50
AGC	ON
DWDR	ON ←┘
RETURN	RET ←┘

- SHUTTER (AUTO / 50-100000 / FLK)
- BRIGHTNESS (50 / 0-255)
- AGC (OFF / LOW / MIDDLE / HIGH)
- DWDR (ON: 63 0-63 / OFF)

Camera Menu

- IMAGE ADJ

IMAGE ADJ		
LENS SHAD		OFF
2DNR		OFF
MIRROR		OFF
FONT COLOR		←┘
CONTRAST	110
SHARPNESS	26
DISPLAY		LCD ←┘
NEG IMAGE		OFF
RETURN		

- LENS SHAD (OFF / ON:22 0-255)
- CONTRAST (110 / 0-255)
- SHARPNESS (26 / 0-31)
- DISPLAY (CRT / LCD / USER)

LCD ADJUST		
GAMMA		0.5
PED LEVEL	17
COLOR GAIN	176
RETURN		RET ←┘

- GAMMA (0.5 / 0.05-1.0)
- PED LEVEL (17 / 0-63)
- COLOR GAIN (176 / 0-255)

Camera Menu

- BACKLIGHT (BLC / HLC / OFF)

BLC		
AREA SEL		AREA1
AREA STATE		ON
GAIN		168
HEIGHT		005
WIDTH		005
LEFT/RIGHT		004
TOP/BOTTOM		004
RETURN		RET ←

- AREA SEL (AREA1/AREA2)
- GAIN (168 / 0-255)
- HEIGHT (5 / 0-10)
- WIDTH (5 / 0-9)
- LEFT/RIGHT (4 / 0-6)
- TOP/BOTTOM (4 / 0-10)

HLC		
LEVEL		200
MODE		ALL DAY
RETURN		RET ←

- LEVEL (200 / 0-255)
- MODE (ALL DAY / NIGHT ONLY)

Camera Menu

- DAY & NIGHT (AUTO / COLOR / B&W / EXT)

D & N AUTO

D → N LEVEL	144
D → N DELAY	3	SEC
N → D LEVEL	112
N → D DELAY	1	SEC
RETURN		RET ←┘

- DAY → NIGHT LEVEL (144 / 0-176)
- DAY → NIGHT DELAY (3 / 1-30)
- NIGHT → DAY LEVEL (112 / 0-255)
- NIGHT → DAY DELAY (1 / 1-30)

D & N B & W

BURST	OFF
IR SMART	OFF
IR LEVEL	HIGH
RETURN	RET ←┘

- BURST (OFF/ON)
- IR SMART (OFF/ON)
- IR LEVEL (HIGH/LOW)

Model	RunCam New Swift 2
Image Sensor	1/3" SONY SUPER HAD II CCD
Horizontal Resolution	600TVL
Lens	2.5mm (Default) / 2.3mm / 2.1mm
Signal System	PAL/NTSC
Integrated OSD	Yes
Integrated MIC	Yes
S/N Ratio	>60dB (AGC OFF)
Electronic Shutter Speed	PAL: 1/50~100,000; NTSC: 1/60~100,000
Auto Gain Control (AGC)	Yes
Back Light Compensation (BLC)	Yes
Min. Illumination	0.01Lux@1.2F
WDR	D-WDR
DNR	2DNR
Day/Night	Color/Auto/B&W
Power	DC 5-36V
Working Current	5V@60mA 12V@140mA
Net Weight	14g
Dimensions	28.5mm*26mm*26mm

www.runcam.com