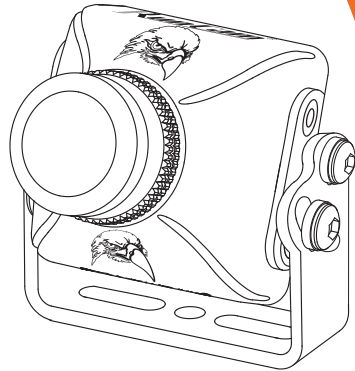


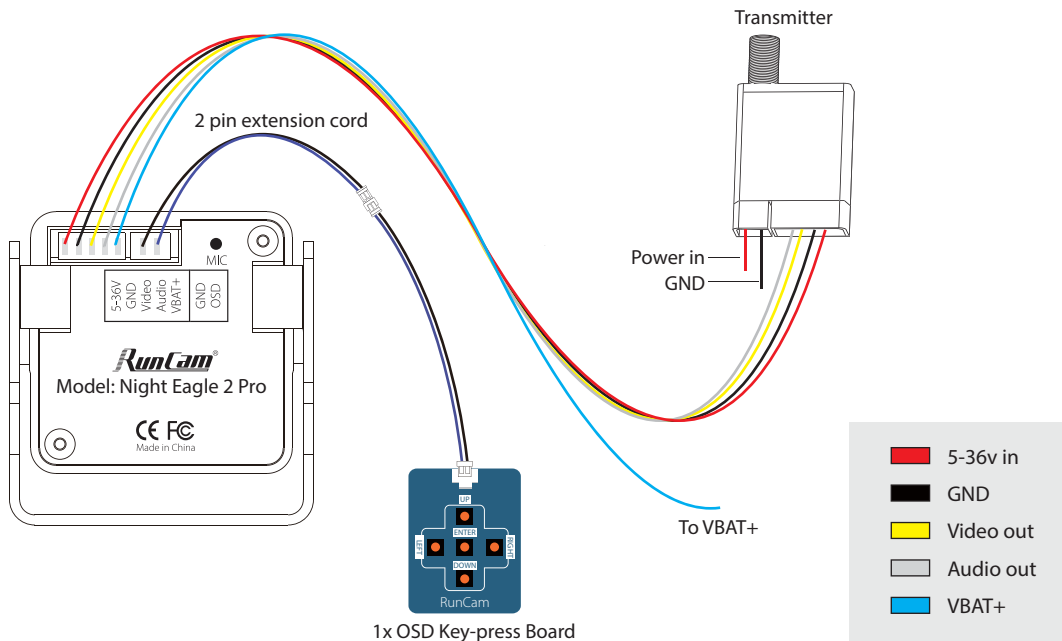


RUNCAM NIGHT EAGLE 2 PRO USER MANUAL

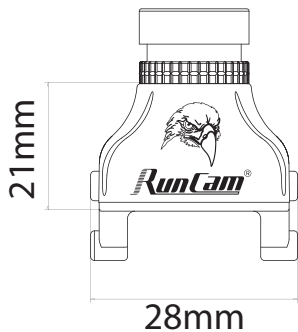


Connection

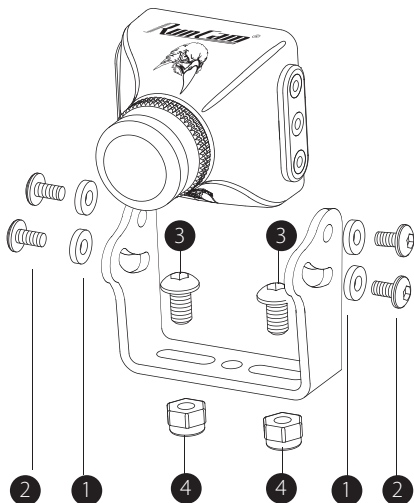
* Unplug the 5D-OSD menu cable after OSD setting.



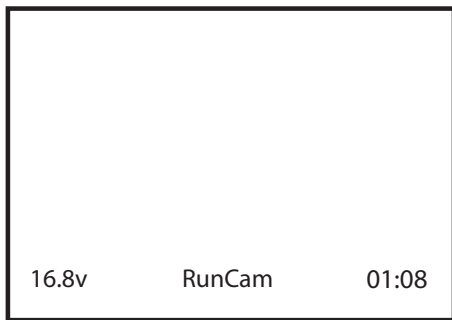
Dimensions & Installation



- 1 Nylon Gaskets
- 2 M2*4 Screws
- 3 M3*5 Screws
- 4 M3 Non-slip Nuts



OSD Menu



- **Quick settings:**

Long press the LEFT/DOWN/RIGHT button for 2 seconds to activate the VOLTAGE/PILOT/TIMER, then you can use the UP, DOWN, LEFT and RIGHT buttons to move it to the appropriate location on the screen, and press the CENTER button to exit.

- **Voltage Calibration**

- Press and hold the RIGHT button for 2 seconds to select the voltage
- Press and hold the CENTER button for 2 seconds, the voltage starts to flash, now you can adjust the Voltage:
 - Reduce (LEFT button) or increase (RIGHT button) 0.1V each press. Maximum adjustment range: $\pm 1v$
 - After adjustment, press the CENTER button to select the voltage, then press it again to save and exit.
- The OSD displays by default the input voltage of the camera. If the VBAT + cable is connected to the battery's positive side, it displays the battery voltage instead.

OSD Menu

OSD Setting: Press and hold the UP button for 2 seconds to enter OSD setup menu.

RunCam

1234567890ABCDEFGH
HIJKLMNOPQRSTUVWXYZ
Yzabcdefghijklmnop
pqrstuvwxyz.-:/@

PILOT	ON
TIMER	ON
VOLTAGE	ON
BASELINE	OFF
DEFAULT	
EXIT	

- PILOT: ON/OFF
 - TIMER: ON/OFF
 - VOLTAGE: ON/OFF
 - BASELINE: OFF/1-9
 - EXIT: Save the current settings and exit
-
- Customize the PILOT name: Use the UP, DOWN, LEFT and RIGHT buttons to navigate through the letters and confirm with the CENTER button.

Camera Menu

MAINMENU

IMAGE	←┐
VIDEO STANDARD	PAL-50HZ
LANGUAGE	ENGLISH
LOAD DEFAULT	
SOFT VERSION	
SAVE&EXIT	
EXIT	

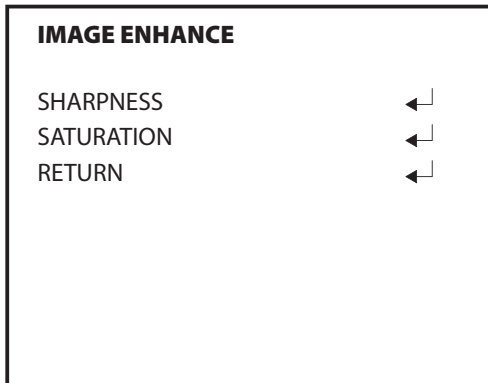
- VIDEO STANDARD (PAL-50Hz/NTSC-60Hz)
- LANGUAGE (English/中文)

IMAGE

MAX GAIN	9
WDR	ON
IMAGE ENHANCE	←┐
MIRROR	OFF
BRIGHTNESS	36
ZOOM IN	0
RETURN	←┐

- MAX GAIN (9 / 1-9)
- WDR (ON/OFF)
- MIRROR (OFF/ON)
- BRIGHTNESS (36 / 8-250)
- ZOOM IN (0 / 0-5)

Camera Menu



- SHARPNESS (AUTO/MANUAL: 0-15)
- SATURATION (AUTO/MANUAL: 0-15)

Model	RunCam Night Eagle 2 PRO
Image Sensor	1/1.8" CMOS Sensor
Horizontal Resolution	800TVL
Lens	FOV 140 2.5mm
Screen Format	4:3
Signal System	NTSC/PAL Switchable on OSD menu
Integrated OSD	Yes
Integrated MIC	Yes
S/N Ratio	>50dB
Electronic Shutter Speed	Auto
Max Gain	1-9
Min. Illumination	0.00001Lux/F1.2
WDR	Global WDR
Day/Night	Only Black & White
Power	DC 5-36 V
Work Current	12V@90mA / 5V@200mA
Housing Material	ABS
Net Weight	15g
Dimensions	L28mm * W26mm * H28.8mm

www.runcam.com