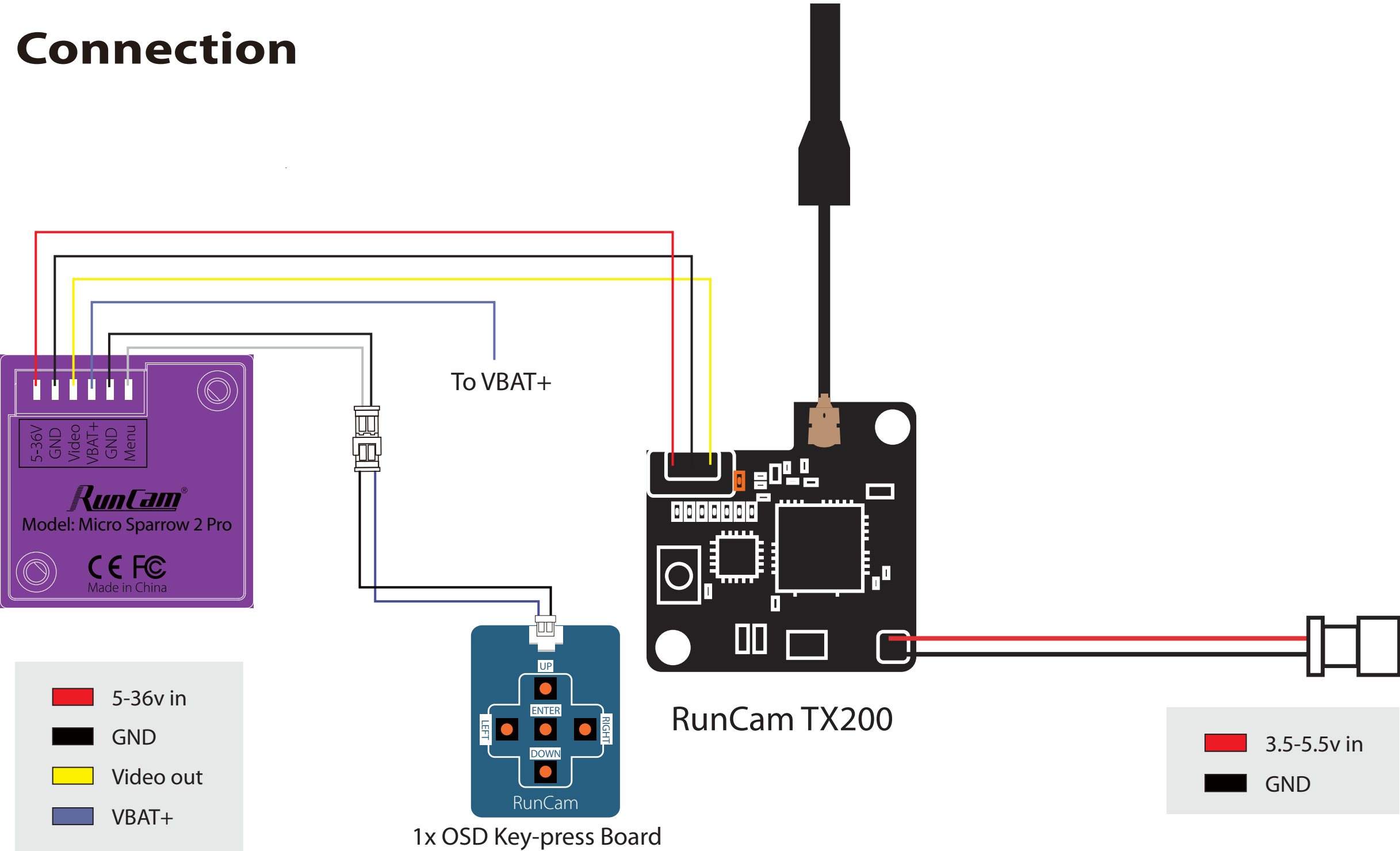




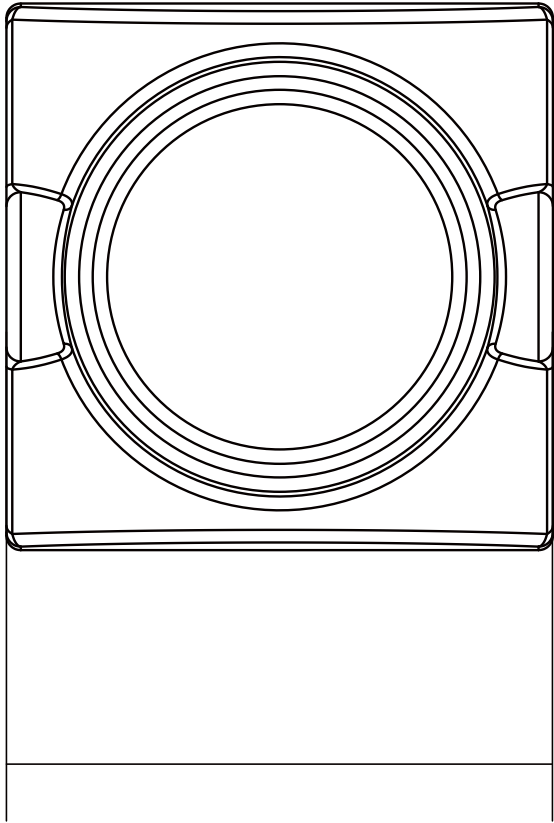
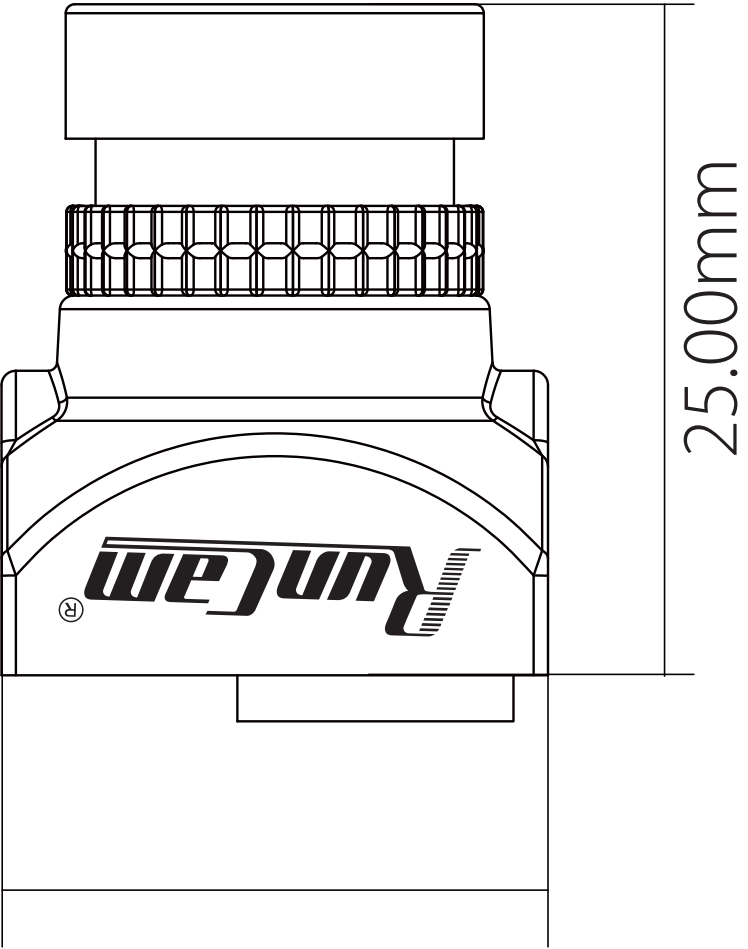
RunCam Micro Sparrow 2 Pro User Manual



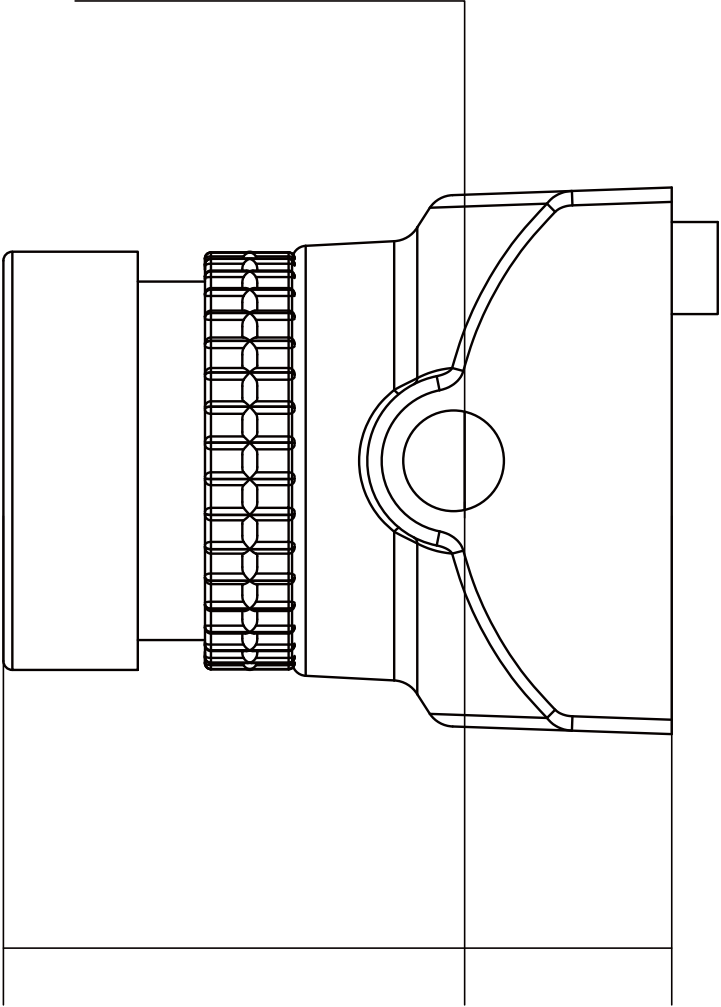
Connection



Dimensions & Installation



M2 Screws



19.00mm

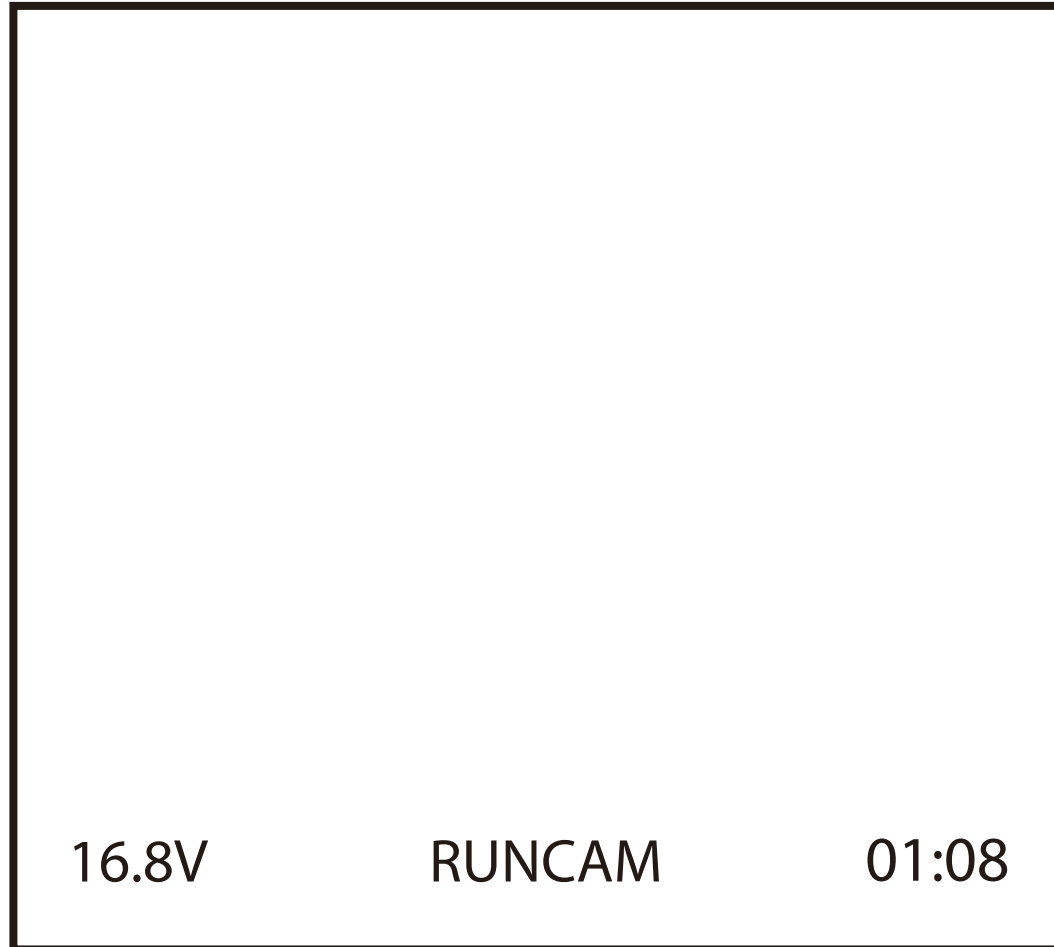
19.00mm

16.00mm

9.00mm

OSD Menu

- QUICK SETTINGS



Quick settings:

- Long press UP button for three seconds to access to the OSD setting's screen
- Long press LEFT button for three seconds to calibrate the voltage. When the voltage text flashes, press UP/DOWN button to adjust it
- Long press DOWN button for ten seconds to reset OSD settings to default
- Long press RIGHT button for three seconds to switch between the camera presets

OSD Menu

1 2 3 4 5 6 7 8 9 0 A B C D E F G H I J
K L M N O P Q R S T U V W X Y Z & : = . /

```
CLR          RUNCAM_ _ _  
  
ALARM       :    11.1V  
PILOT       :    ON    POS ←┘  
TIMER       :    ON    POS ←┘  
VOLTAGE     :    ON    POS ←┘  
HORIZON     :    OFF   POS ←┘  
EXIT
```

- CLR: clear the ID character;
- ALARM: low voltage warning value, smartly judge the warning value of the battery when it's low; if set it manually, then it saves the manual preset value;
- Press the middle button to switch ON / OFF, then move to POS to enter the position adjustment..

Camera Menu

- SETUP MENU

SETUP MENU	
PICT ADJUST	←
WHITE BAL	ATW
LANGUAGE	ENGLISH
CAMERA RESET	YES ←
EXIT	←

- LANGUAGE (ENGLISH / DEUTSCH / FRANCAIS / PYCCKNN / PORTUGUES / ESPANOL / 中文)
- WHITE BAL (ATW / PUSH / USER1 / USER2 / MANUAL / PUSH LOCK)

PICT ADJUST	
FLIP	OFF
BRIGHTNESS 120
CONTRAST 138
SHARPNESS 148
HUE 090
COLOR GAIN 168
RETURN	←

- FLIP (OFF / H-FLIP / V-FLIP / HV-FLIP)
- BRIGHTNESS (120 / 0-255)
- CONTRAST (138 / 0-255)
- SHARPNESS (148 / 0-255)
- HUE (90 / 0-180)
- COLOR GAIN (168 / 0-255)

Parameters

Model	RunCam Micro Sparrow 2 Pro	
Image Sensor	Super WDR CMOS Sensor	
Horizontal Resolution	700TVL	
Lens	1.8mm (M8) FOV165°	2.1mm(M8) FOV 150°
Screen Format	4:3	
Signal System	NTSC / PAL	
Mirror/Flip	Available	
Integrated OSD	Yes	
One Touch Scene Setting	Personal / Lightrax / Outdoor / Indoor / Cloudy / Twilight	
S/N Ratio	>50dB	
Electronic Shutter Speed	Auto	
Min. Illumination	0.01Lux@1.2F	
WDR	Super WDR	
Day/Night	Auto	
Power	DC 5-36V	
Current	40mA@12V / 110mA@5V	
Housing Material	ABS	
Net Weight	1.8mm 8.5g	2.1mm 10g
Dimensions	L19mm*W19mm*H23mm	L19mm*W19mm*H25mm