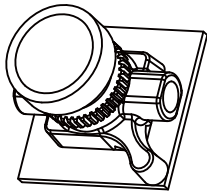


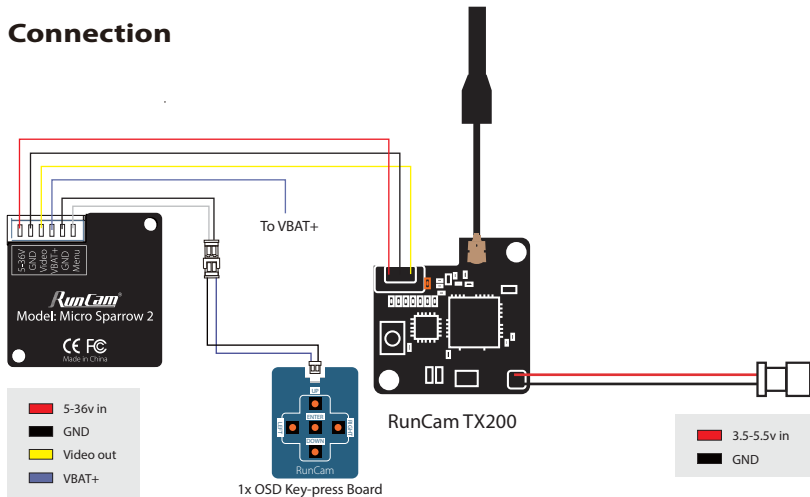


RUNCAM

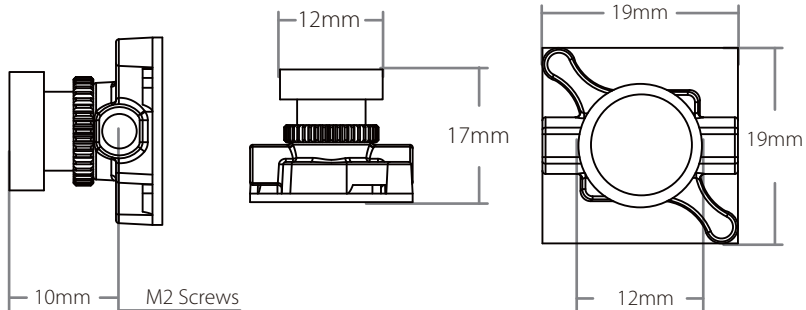
Micro Sparrow 2
USER MANUAL



Connection

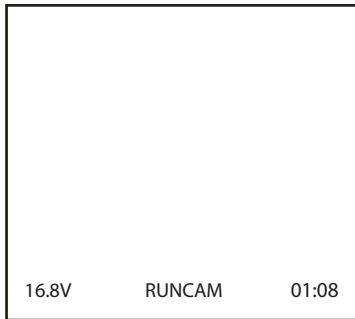


Dimensions & Installation



OSD Menu

• QUICK SETTINGS



Quick settings:

- Long press UP button for three seconds to access to the OSD setting's screen
- Long press LEFT button for three seconds to calibrate the voltage. When the voltage text flashes, press UP/DOWN button to adjust it
- Long press DOWN button for ten seconds to reset OSD settings to default
- Long press RIGHT button for three seconds to switch between the camera presets

OSD Menu

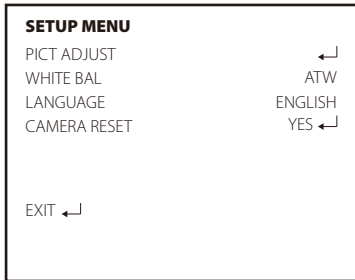
1 2 3 4 5 6 7 8 9 0 A B C D E F G H I J
K L M N O P Q R S T U V W X Y Z & : = . /

CLR		RUNCAM_ _ _	
ALARM	:	11.1V	
PILOT	:	ON	POS ↵
TIMER	:	ON	POS ↵
VOLTAGE	:	ON	POS ↵
HORIZON	:	OFF	POS ↵
EXIT			

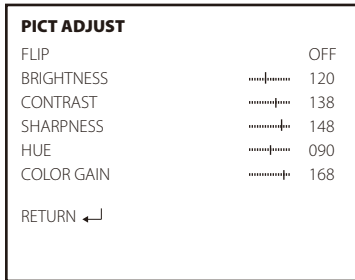
- CLR: clear the ID character;
- ALARM: low voltage warning value, smartly judge the warning value of the battery when it's low; if set it manually, then it saves the manual preset value;
- Press the middle button to switch ON / OFF, then move to POS to enter the position adjustment..

Camera Menu

- SETUP MENU



- LANGUAGE (ENGLISH / DEUTSCH / FRANCAIS / PYCCKNN / PORTUGUES / ESPANOL / 中文)
- WHITE BAL (ATW / PUSH / USER1 / USER2 / MANUAL / PUSH LOCK)



- FLIP (OFF / H-FLIP / V-FLIP / HV-FLIP)
- BRIGHTNESS (120 / 0-255)
- CONTRAST (138 / 0-255)
- SHARPNESS (148 / 0-255)
- HUE (90 / 0-180)
- COLOR GAIN (168 / 0-255)

Parameters

Model	RunCam Micro Sparrow 2	
Image Sensor	Super WDR CMOS Sensor	
Horizontal Resolution	700TVL	
Lens	2.1mm (M8) FOV150°	2.3mm(M8) FOV 140°
Screen Format	4:3	
Signal System	NTSC / PAL	
Mirror/Flip	Available	
Integrated OSD	Yes	
One Touch Scene Setting	Personal / Lightrax / Outdoor / Indoor / Cloudy / Twilight	
S/N Ratio	>50dB	
Electronic Shutter Speed	Auto	
Min. Illumination	0.01Lux@1.2F	
WDR	Super WDR	
Day/Night	Auto	
Power	DC 5-36V	
Current	120mA@5V / 50mA@12V	
Housing Material	ABS	
Net Weight	4.5g	
Dimensions	L19mm*W19mm*H17mm	