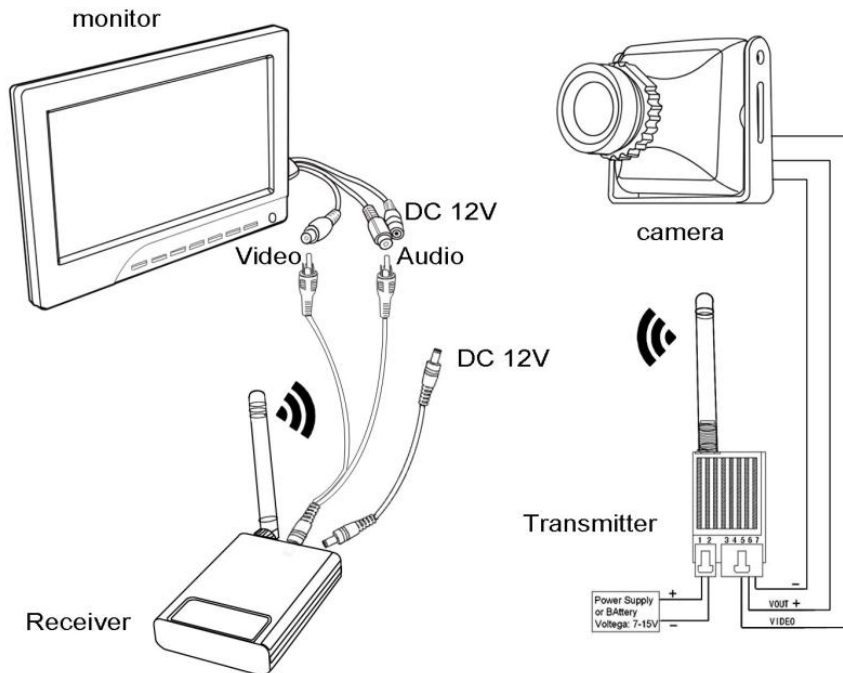
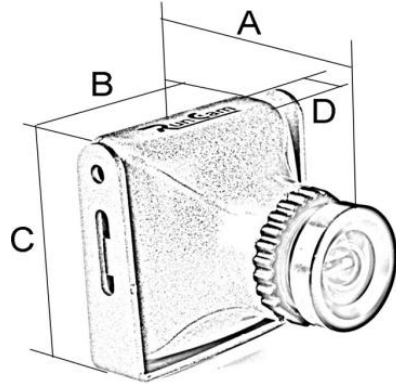


RunCam SKY

Dimension

Unit:mm(inch)

- A: 33mm(1.29inch)
- B: 26mm(1.02inch)
- C: 27mm(1.06inch)
- D: 9mm(0.35inch)



Specifications

Image Sensor	1/3 SONY SUPER HAD II CCD
Horizontal Resolution	650TVL
Effective Pixel	PAL:753(H) x 582(V),NTSC:768(H) x 494(V)
Signal System	PAL/NTSC
Synchronization	Internal
Auto White Balance	ATW/ATB/AWC-SET/ANTI.CRL/MANUAL
S/N Ratio	>60dB(AGC OFF)
Electronic Shutter Speed	PAL:1/50-1/100,000sec;NTSC:1/60-1/100,000
Auto Gain Control	off/low/mid/high optional
Back light compensation (BLC)	off /BLC/ anti-exposure
Min. Illumination	0.01Lux/1.2F
Shading Area	8
Video Output	1.0Vp-p 75 ohm BNC output
Neg. Image	On / Off
Edge light compensation(Lens Shad.)	On / Off
Display Mode	LED monitor/CRT monitor
Day / Night Switch	Auto / B&W / EXT / Color
DNR	2DNR
OSD	English/Chinese/Japanese/German/French/Russian/Portuguese/Spanish
White dot repair (DPC)	Yes
Image adjust	Yes
Function Control	OSD
Dimensions	26mm x 26mm
Operation Temp	-10C to +50C
Operation Environ	10% to 90%
Power	DC 9-12V