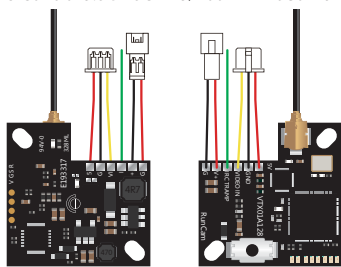


RunCam TX200U

BFCMS Control 5.8G 48CH 25/200mW Video Transmitter



Frequency Setup

Lock mode:
Red LED flashes, only 25mW & limited frequency available;
Unlocked mode:
Red LED keeps on, 200mW & all 48 channels available;
By long pressing button for 10 seconds, you can switch between the two modes.

Note:
Before you get TX200 unlocked, it is highly recommended to know about the rules and regulations in your country about the frequency to avoid a fine or confiscation of your device.

1 Blue LED for Channel

Short press the button to switch the Channel, Channel 1/2/3/4/5/6/7/8 in sequence. For each short press, the Blue LED flashes once, and only when it's under the Channel 1, the LED is always on.

6 Red LED for Band

Long press the button two seconds to switch the Band, Band 1/2/3/4/5/6 in sequence. For each long press, the six Red LEDs light in turn.

1 Orange LED for Power

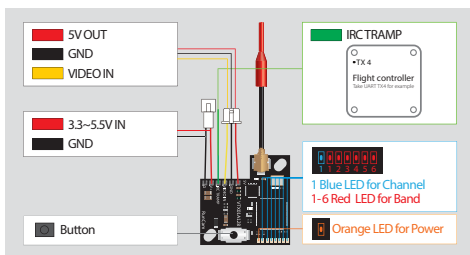
Long press the button five seconds to switch the power, on is 200mW, off is 25mW, lock mode is limited to 25mW.

Parameter

Frequency Channel: 5.8G 48CH
Output Power: 25mW / 200mW
Working Current: 5V@150-400mA
Voltage out: 5V@max 250mA
Voltage in: 1S 3.5-5.5V

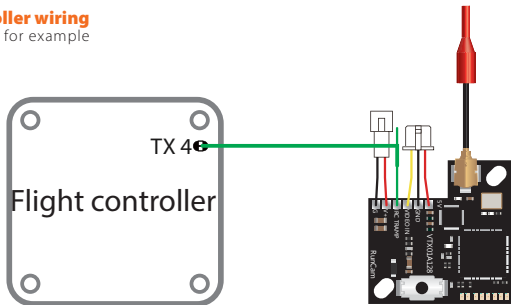
Video Input Impedance: 75 Ohm
Antenna: U.FL 5.8G 2dB Omni antenna
Weight: 2.5g (with antenna)
PCB Size: 19mm*19mm

Instruction diagram



1. Flight controller wiring

Note: Take UART4 for example

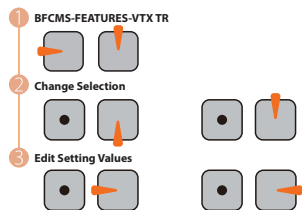


2. Betaflight 3.1 or above setting

Identifier	Configuration/MS	Serial Rx	Telemetry Output	Sensor Input	Peripherals
USB VCP	<input checked="" type="checkbox"/> 115200	<input type="checkbox"/>	Disabled AUTO	Disabled AUTO	Disabled AUTO
UART1	<input type="checkbox"/> 115200	<input type="checkbox"/>	Disabled AUTO	Disabled AUTO	Disabled AUTO
UART2	<input type="checkbox"/> 115200	<input checked="" type="checkbox"/>	Disabled AUTO	Disabled AUTO	Disabled AUTO
UART3	<input type="checkbox"/> 115200	<input type="checkbox"/>	Disabled AUTO	Disabled AUTO	Disabled AUTO
UART4	<input type="checkbox"/> 115200	<input type="checkbox"/>	Disabled AUTO	Disabled AUTO	IRCTramp AUTO
UART5	<input type="checkbox"/> 115200	<input type="checkbox"/>	Disabled AUTO	Disabled AUTO	Disabled AUTO

3. Remote control

Note: Take Mode-2 for example



• If you connect VTX to Flight Controller (BetaFlight 3.3 or above) IRC Tramp protocol, the VTX will be controlled by Flight Controller and its frequency will be changed to F1 5740 and the button on VTX will give no more reaction.

• If you need to get 200mW & all 48 channels unlocked, please long press the button on VTX for 10 seconds till the red LED is always on.

BFOSD 25mW	VTX 25mW
BFOSD 100mW	VTX 25mW
BFOSD 200mW	VTX 200mW
BFOSD 400mW	VTX 200mW
BFOSD 600mW	VTX 200mW

Frequency Table

200mW Lock

Channel	CH1	CH2	CH3	CH4	CH5	CH6	CH7	CH8
1 Band A	5865	5845	5825	5805	5785	5765	5745	5725
2 Band B	5733	5752	5771	5790	5809	5828	5847	5866
3 Band E	5705	5685	5665	5645	5885	5905	5925	5945
4 Airwave	5740	5760	5780	5800	5820	5840	5860	5880
5 Race Band	5658	5695	5732	5769	5806	5843	5880	5917
6 Low Race	5362	5399	5436	5473	5510	5547	5584	5621